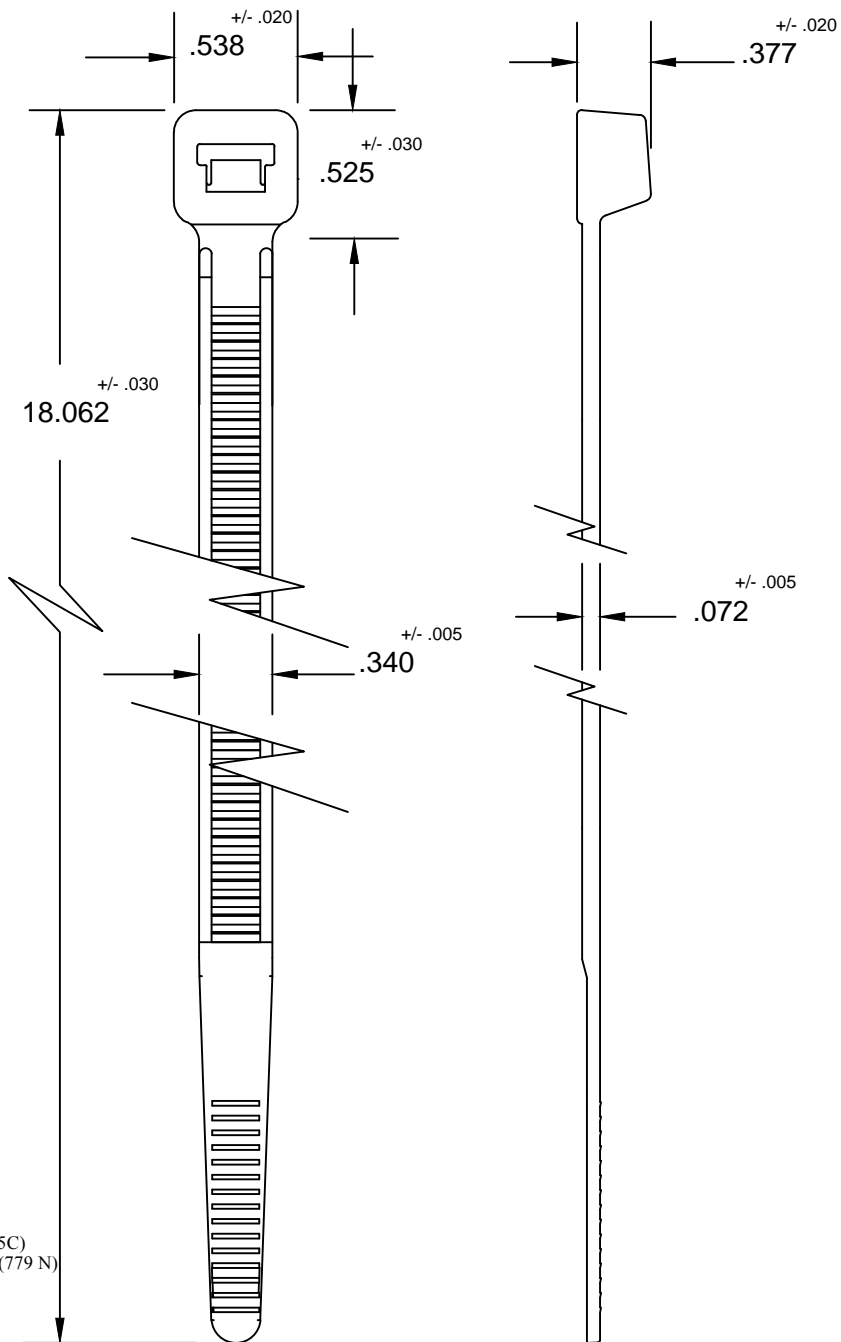


REVISIONS				
ZONE	REV	DESCRIPTION	DATE	APPROVED
	2	B18H - Verified Measurements	2-25-15	D. Mason



- NOTES:
1. MATERIAL: NYLON 6,6
 2. FLAMMABILITY RATING: UL94V-2
 3. MAXIMUM OPERATING TEMP: 185F(85C)
 4. MINIMUM TENSILE RATING: 175 LBS (779 N)
 5. MAX. BUNDLE DIA 127 (5.0 IN)

Material Designations: -9 = Natural -# = Color -0 = UV Black -HS= Heat Stabilized Black	AMERICAN ELITE MOLDING			
	Extra Heavy Duty Cable Tie 175 LB Series			
Unless Otherwise Specified All dimensions are in inches.	SIZE A	FSCM NO.	DWG NO. B18H	REV 2
	SCALE N/A	Material Nylon 6/6	SHEET 1 of 1	