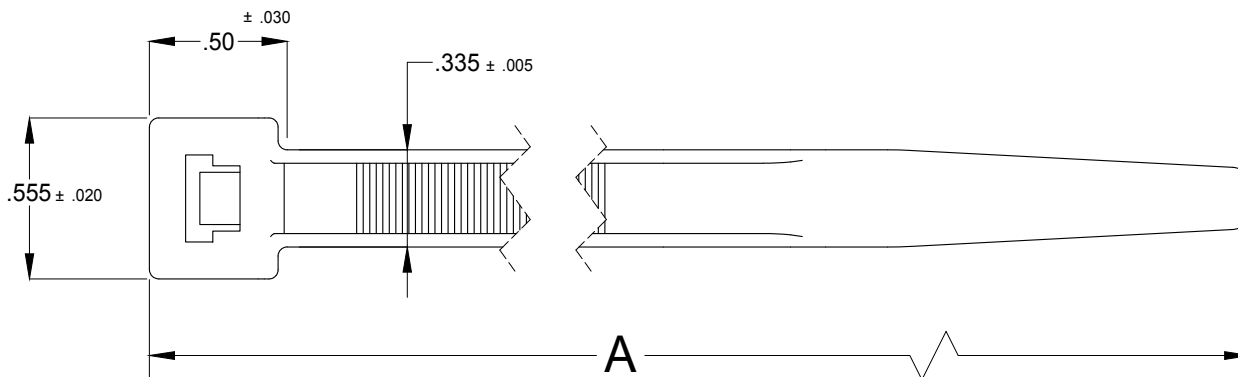
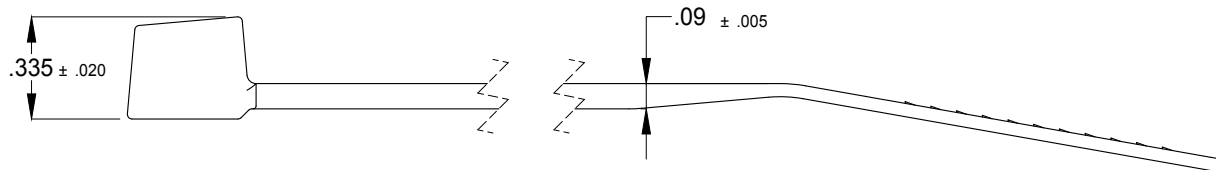


REVISIONS				
ZONE	REV	DESCRIPTION	DATE	APPROVED
	1	New Release	12-15-09	R. Denney
	2	Dimension Verification	8-1-17	R. Denney



NOTES:

1. MINIMUM TENSILE RATING: 175 LBS (779N)
2. MINIMUM BUNDLE DIA: 1.5
3. MAXIMUM BUNDLE DIA: (SEE TABLE)

AEM No. / MIL SPEC	MAXIMUM BUNDLE DIA.	A
B24H* ** (MS3367-10-*)	7.2	24.6
B36H* ** (MS3367-12-*)	11.0	36.5

\*\* = PACKAGE  
M = 1,000 D = 500 H = 250  
C = 100 L = 50 Q = 25  
\* = NUMBER/COLOR  
0 - Black HS - Heat Stabilized  
9 - Natural

ALL DIMENSIONS ARE FOR REFERENCE ONLY  
UNLESS SPECIFIED, ALL MEASUREMENTS  
ARE IN INCHES

**AMERICAN ELITE MOLDING, LLC**

Heavy Duty (Hvy) Cable Tie 175 LB (779 N) Series

SIZE <b>A</b>	FSCM NO.	DWG. NO. <b>B24-36H</b>	REV <b>2</b>
SCALE <b>N/A</b>	Material Nylon 6/6		SHEET <b>1 of 1</b>