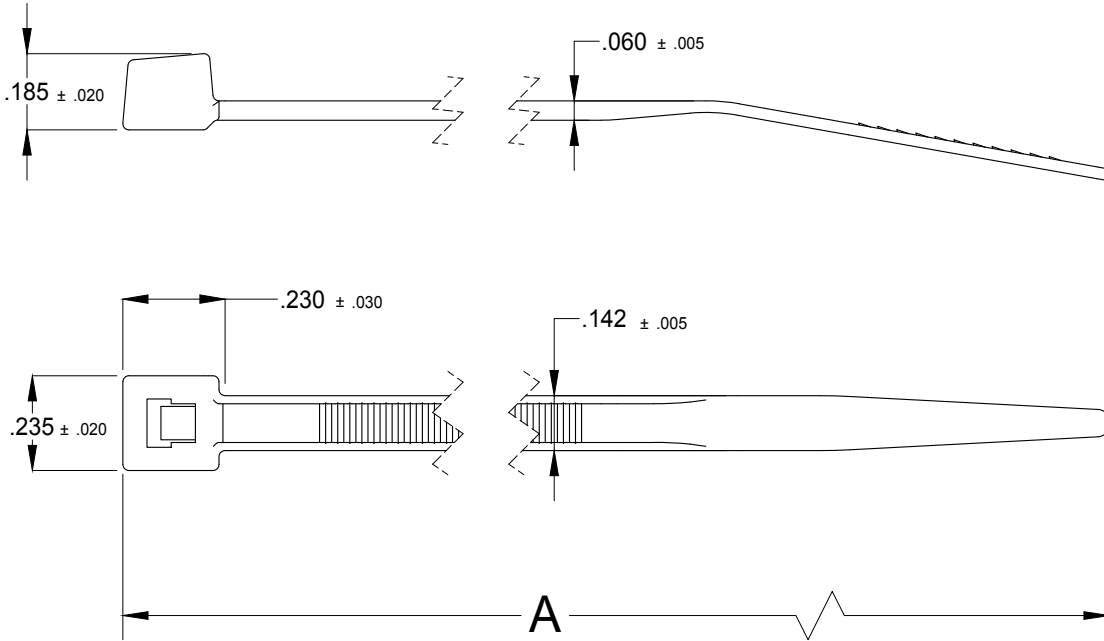


REVISIONS				
ZONE	REV	DESCRIPTION	DATE	APPROVED
	1	New Release	12-15-09	R. Denney
	2	Dimension Verification	8-1-17	R. Denney



NOTES:

1. MINIMUM TENSILE RATING: 40 LBS (178N)
2. MINIMUM BUNDLE DIA: 0.125
3. MAXIMUM BUNDLE DIA: (SEE TABLE)

AEM No. / MIL SPEC	MAXIMUM BUNDLE DIA.	A
B5I** (MS3367-5-*)	1.25	5.75
B8I**	2.0	8.75

\* = NUMBER/COLOR

- |            |                        |                         |
|------------|------------------------|-------------------------|
| 0 - Black  | 6 - Blue               | 12 - Fluorescent Pink   |
| 1 - Brown  | 7 - Purple             | 13 - Fluorescent Yellow |
| 2 - Red    | 8 - Gray               | 14 - Fluorescent Orange |
| 3 - Orange | 9 - Natural            | 15 - Fluorescent Blue   |
| 4 - Yellow | 10 - White             | HS - Heat Stabilized    |
| 5 - Green  | 11 - Fluorescent Green |                         |

\*\* = PACKAGE  
M = 1,000 D = 500 H = 250  
C = 100 L = 50 Q = 25

**AMERICAN ELITE MOLDING, LLC**

Intermediate (Int) Cable Tie 40 LB (178 N) Series

ALL DIMENSIONS ARE FOR REFERENCE ONLY  
UNLESS SPECIFIED, ALL MEASUREMENTS  
ARE IN INCHES

SIZE <b>A</b>	FSCM NO.	DWG. NO. <b>B5-8I</b>	REV <b>1</b>
SCALE <b>N/A</b>	Material Nylon 6/6		SHEET <b>1 of 1</b>