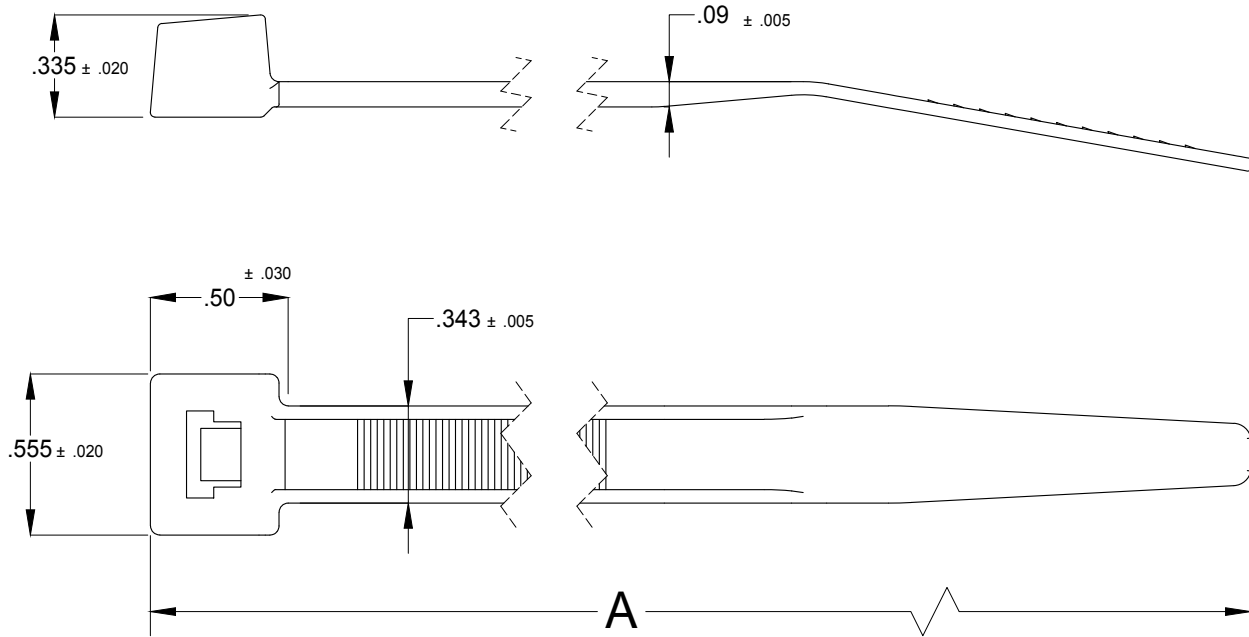


REVISIONS			
REV	DESCRIPTION	DATE	APPROVED
1	New Release	12-15-09	R. Denney
2	Dimension Verification	8-1-17	R. Denney
3	Dimension Verification	10-25-18	R. Denney



NOTES:

1. MINIMUM TENSILE RATING: 175 LBS (779N)
2. MINIMUM BUNDLE DIA: 1.5
3. MAXIMUM BUNDLE DIA: (SEE TABLE)

AEM No. / MIL SPEC	MAXIMUM BUNDLE DIA.	A
B18H* ** (MS3367-8-*)	5.0	18.1
B24H* ** (MS3367-10-*)	7.2	24.6
B30H* ** (MS3367-11-*)	9.3	29.6
B36H* ** (MS3367-12-*)	11.0	36.5
B48H* ** (MS3367-15-*)	14.0	48.0

** = PACKAGE
M = 1,000 D = 500 H = 250
C = 100 L = 50 Q = 25
* = NUMBER/COLOR
0 - Black HS - Heat Stabilized
9 - Natural

ALL DIMENSIONS ARE FOR REFERENCE ONLY
UNLESS SPECIFIED, ALL MEASUREMENTS
ARE IN INCHES

AMERICAN ELITE MOLDING, LLC

Heavy Duty (Hvy) Cable Tie 175 LB (779 N) Series

SIZE A	FSCM NO.	DWG. NO. B18-24-30-36-48H	REV 3
SCALE N/A	Material Nylon 6/6	SHEET 1 of 1	