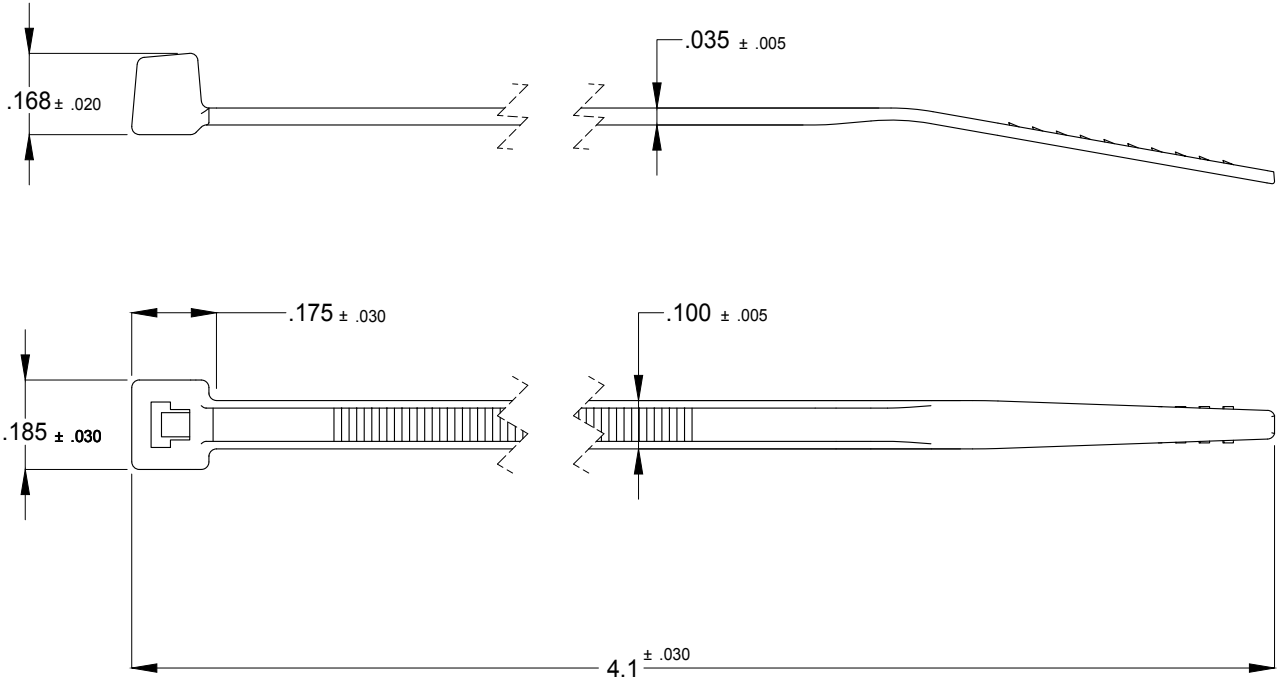


REVISIONS

ZONE	REV	DESCRIPTION	DATE	APPROVED
	1	New Release	12-15-09	R. Denney
	2	Dimension Verification	8-1-17	R. Denney



NOTES:

1. MAXIMUM BUNDLE DIA: 0.75
2. Part Number B4M\* \*\* (MS3367-4-\*)

\* = NUMBER/COLOR

- |            |                        |  |
|------------|------------------------|--|
| 0 - Black  | 6 - Blue               | 12 - Fluorescent Pink                      |
| 1 - Brown  | 7 - Purple             | 13 - Fluorescent Yellow                    |
| 2 - Red    | 8 - Gray               | 14 - Fluorescent Orange                    |
| 3 - Orange | 9 - Natural            | 15 - Fluorescent Blue                      |
| 4 - Yellow | 10 - White             | HS - Heat Stabilized                       |
| 5 - Green  | 11 - Fluorescent Green | AH - Air Handling (NEC 300-22 (C) and (D)) |

\*\* = PACKAGE  
 M = 1,000 D = 500 H = 250  
 C = 100 L = 50 Q = 25

**AMERICAN ELITE MOLDING, LLC**

Miniature (Min) Cable Tie 18 LB (80 N) Series

ALL DIMENSIONS ARE FOR REFERENCE ONLY  
 UNLESS SPECIFIED, ALL MEASUREMENTS  
 ARE IN INCHES

SIZE	FSCM NO.	DWG. NO.	REV
A		B4M	2
SCALE	N/A	Material Nylon 6/6	SHEET 1 of 1