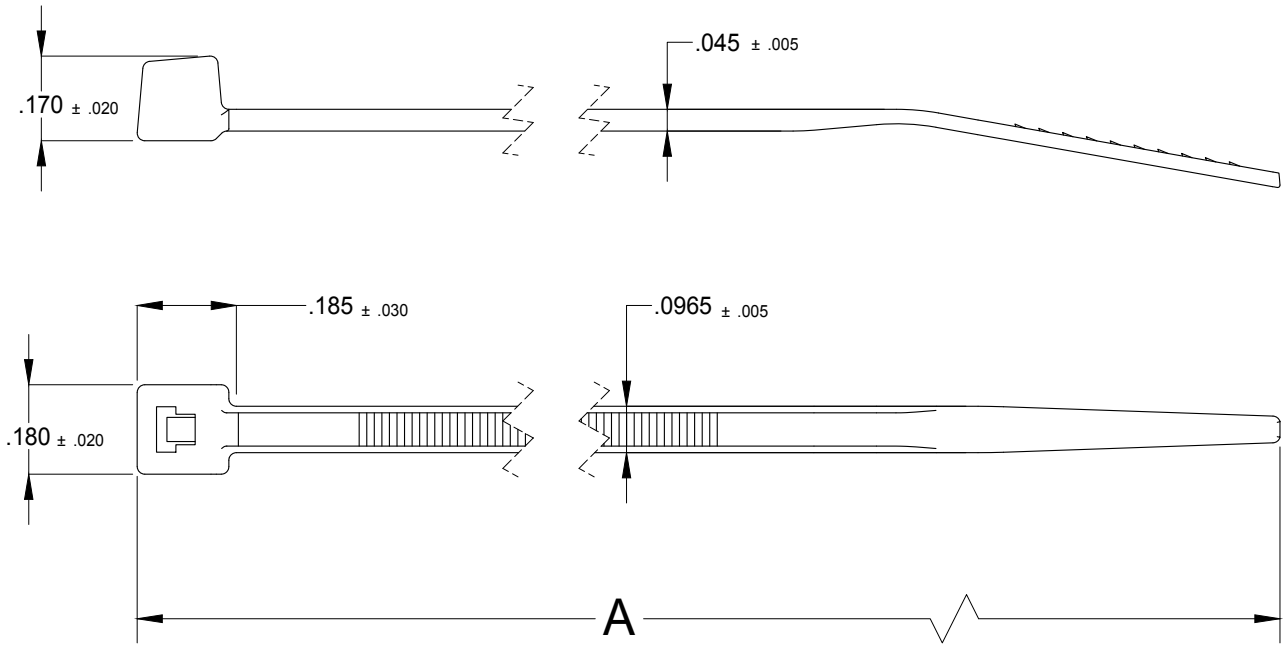


REVISIONS

ZONE	REV	DESCRIPTION	DATE	APPROVED
	1	New Release	12-15-09	R. Denney
	2	Changed Height from .155 to .175	10-15-12	D. Phelps



NOTES:

1. MINIMUM TENSILE RATING: 18 LBS (80N)
2. MINIMUM BUNDLE DIA: .0625
3. MAXIMUM BUNDLE DIA: (SEE TABLE)

AEM No. / MIL SPEC	MAXIMUM BUNDLE DIA.	A
B6M* **	1.2	6.1
B8M* **	2.0	8.1

* = NUMBER/COLOR

- | | | |
|------------|------------------------|-------------------------|
| 0 - Black | 6 - Blue | 12 - Fluorescent Pink |
| 1 - Brown | 7 - Purple | 13 - Fluorescent Yellow |
| 2 - Red | 8 - Gray | 14 - Fluorescent Orange |
| 3 - Orange | 9 - Natural | 15 - Fluorescent Blue |
| 4 - Yellow | 10 - White | HS - Heat Stabilized |
| 5 - Green | 11 - Fluorescent Green | |

** = PACKAGE
M = 1,000 D = 500 H = 250
C = 100 L = 50 Q = 25

AMERICAN ELITE MOLDING, LLC

Miniature (Min) Cable Tie 18 LB (80 N) Series

ALL DIMENSIONS ARE FOR REFERENCE ONLY
UNLESS SPECIFIED, ALL MEASUREMENTS
ARE IN INCHES

SIZE	FSCM NO.	DWG. NO.	REV
A		B6-8M	2
SCALE	N/A	Material Nylon 6/6	SHEET 1 of 1