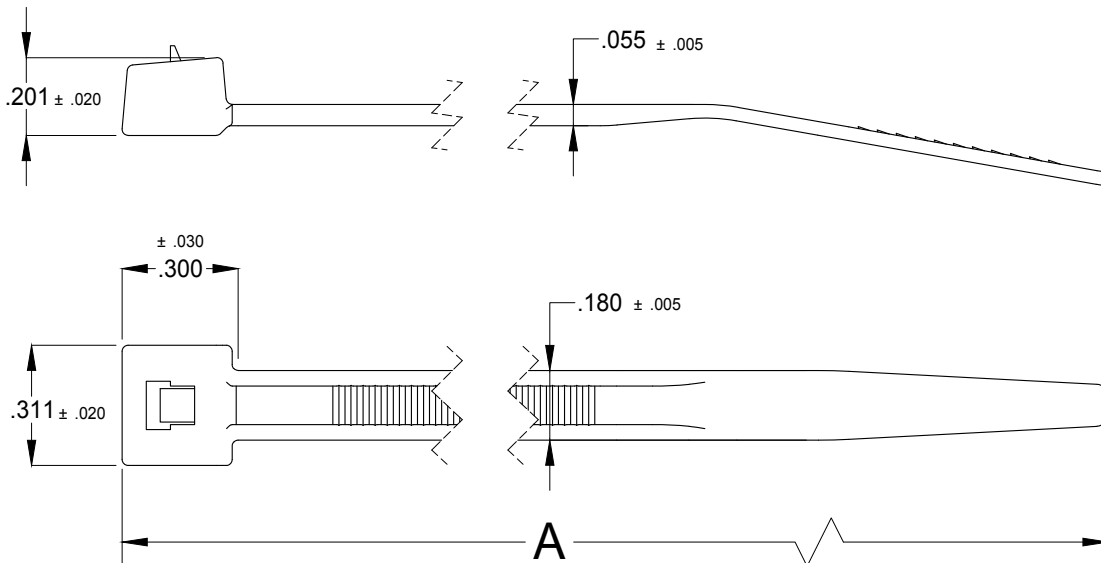


REVISIONS				
ZONE	REV	DESCRIPTION	DATE	APPROVED
	1	New Release	2-15-12	D. Phelps
	2	Dimension Verification	8-1-17	R. Denney



NOTES:

1. MINIMUM TENSILE RATING: 50 LBS (222N)
2. MINIMUM BUNDLE DIA: 0.325
3. MAXIMUM BUNDLE DIA: (SEE TABLE)

AEM No. / MIL SPEC	MAXIMUM BUNDLE DIA.	A
B7S* ** (MS3367-1-*)	1.875	7.6
B11S* ** (MS3367-7-*)	3.0	11.1
B14S* ** (MS3367-2-*)	4.0	14.6
B17S**	5.0	17.1

* = NUMBER/COLOR

- | | | |
|------------|------------------------|--|
| 0 - Black | 6 - Blue | 12 - Fluorescent Pink |
| 1 - Brown | 7 - Purple | 13 - Fluorescent Yellow |
| 2 - Red | 8 - Gray | 14 - Fluorescent Orange |
| 3 - Orange | 9 - Natural | 15 - Fluorescent Blue |
| 4 - Yellow | 10 - White | HS - Heat Stabilized |
| 5 - Green | 11 - Fluorescent Green | AH - Air Handling (NEC 300-22 (C) and (D)) |

** = PACKAGE
M = 1,000 D = 500 H = 250
C = 100 L = 50 Q = 25

AMERICAN ELITE MOLDING, LLC

Standard (Std) Cable Tie wt. Release 50 LB (222 N) Series

ALL DIMENSIONS ARE FOR REFERENCE ONLY
UNLESS SPECIFIED, ALL MEASUREMENTS
ARE IN INCHES

SIZE A	FSCM NO.	DWG. NO. B7-11-14-17R	REV 2
SCALE N/A	Material Nylon 6/6		SHEET 1 of 1