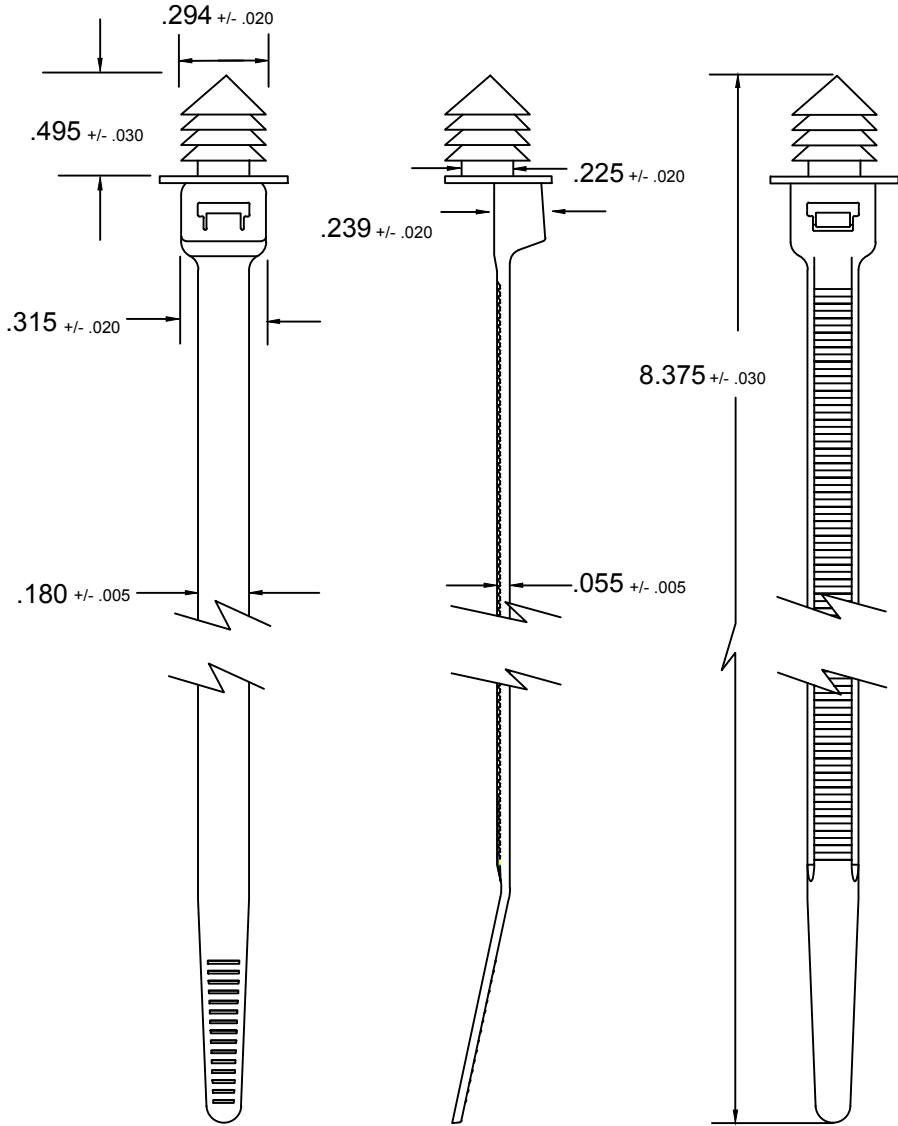


REVISIONS				
ZONE	REV	DESCRIPTION	DATE	APPROVED
	1	New Release	12-15-09	R. Denney
	2	Verified Measurements	8-1-14	S. Smith



- NOTES:
1. MIN TENSILE RATING: 50 LBS (222 N)
 2. MIN BUNDLE DIA: 0.06 [1,6]
 3. MAX BUNDLE DIA: 2.0 [50,8]

AMERICAN ELITE MOLDING, LLC

Standard (Std) Fir Tree Push Mount Cable Tie 50 LB (222 N) Series

ALL DIMENSIONS ARE FOR REFERENCE ONLY. UNLESS SPECIFIED, ALL MEASUREMENTS ARE IN INCHES	SIZE	FSCM NO.	DWG NO.	REV
	A		B7S-FTPM	2
	SCALE	Material	SHEET	
	N/A	Nylon 6/6	1 of 1	