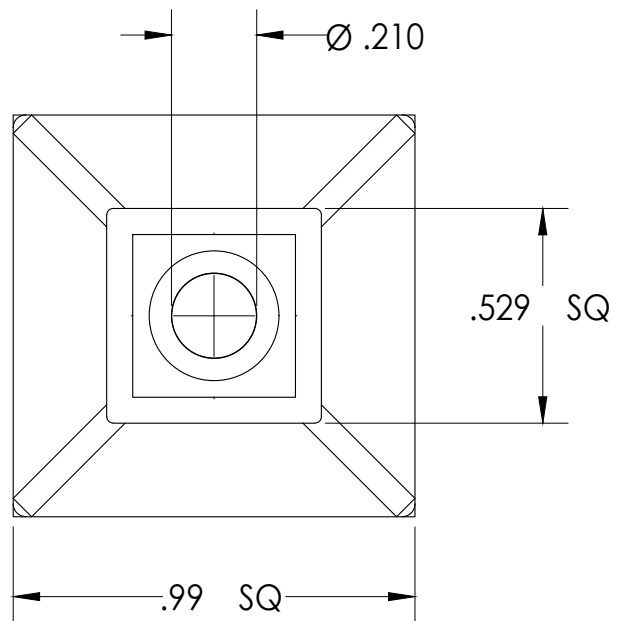
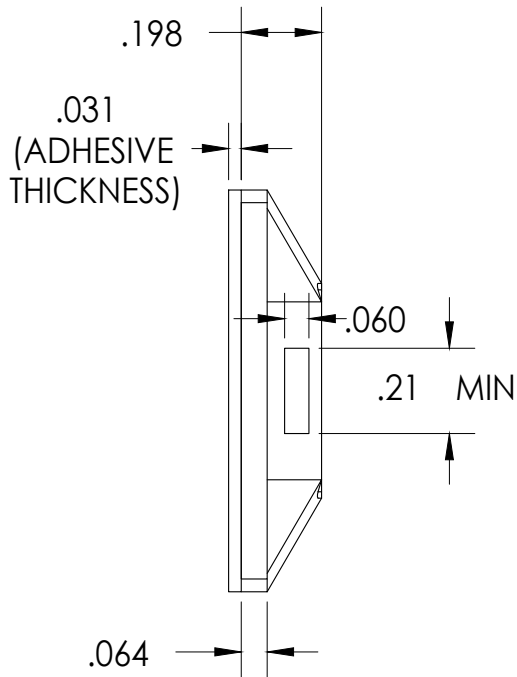


REVISIONS				
ZONE	REV	DESCRIPTION	DATE	APPROVED
	1	NEW RELEASE	12-15-12	D PHELPS



NOTES:

1. SCREW SIZE #10
2. RUBBER BASED ADHESIVE
3. APPLICATION TEMP RANGE 65 F TO 120 F (-18 C TO 65 C)

** = PACKAGE
 M = 1,000 D = 500 H = 250
 C = 100 L = 50 Q = 25
 * = NUMBER/COLOR
 0 - Black
 9 - Natural

ALL DIMENSIONS ARE FOR REFERENCE ONLY
 UNLESS SPECIFIED, ALL MEASUREMENTS
 ARE IN INCHES AND MILLIMETERS (0.01)

AMERICAN ELITE MOLDING, LLC

Mount Pad Standard (Std) Series

SIZE	FSCM NO.	DWG. NO.	REV
A		BMPS	1
SCALE	N/A	Material Nylon 6/6	SHEET 1 of 1